

Setup table

of your autonomous pumping solution

INFORMATION

Name :
 Company :
 Adresse :
 Country :
 Phone :
 Email :

YOUR NEEDS

Describe your pump's use :

 Date :
 Quantity :
 Budget :



ENERGY

Diesel Engine Gasoline Engine Electric Motor

PERFORMANCE PUMP OUTLET (pressure flow) ex : 90m³/H at 10 bars



FLOW

..... M³/H



PRESSION

..... Bars



TYPE OF LIQUID

Clear water Charged water Salt water Others.....



REMOTE

Simple remotely



AUTONOMY

..... Hours

SYSTÈME D'AMORÇAGE



Manual pump



Electrical pump



Priming tank

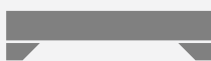


Electric Auto

VERSION

FRAME

A



FIXED

B



FORKLIFT

C



LIFTING HOOK

D



SLOW TRAILER

E

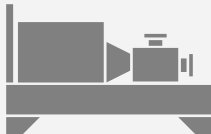


ROAD TRAILER

CONFIGURATION

COVERING

1



OPENED

2



ROOF

3



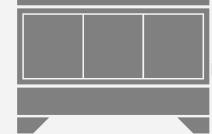
SIDE GUARDS

4



SILENCIOUS

5

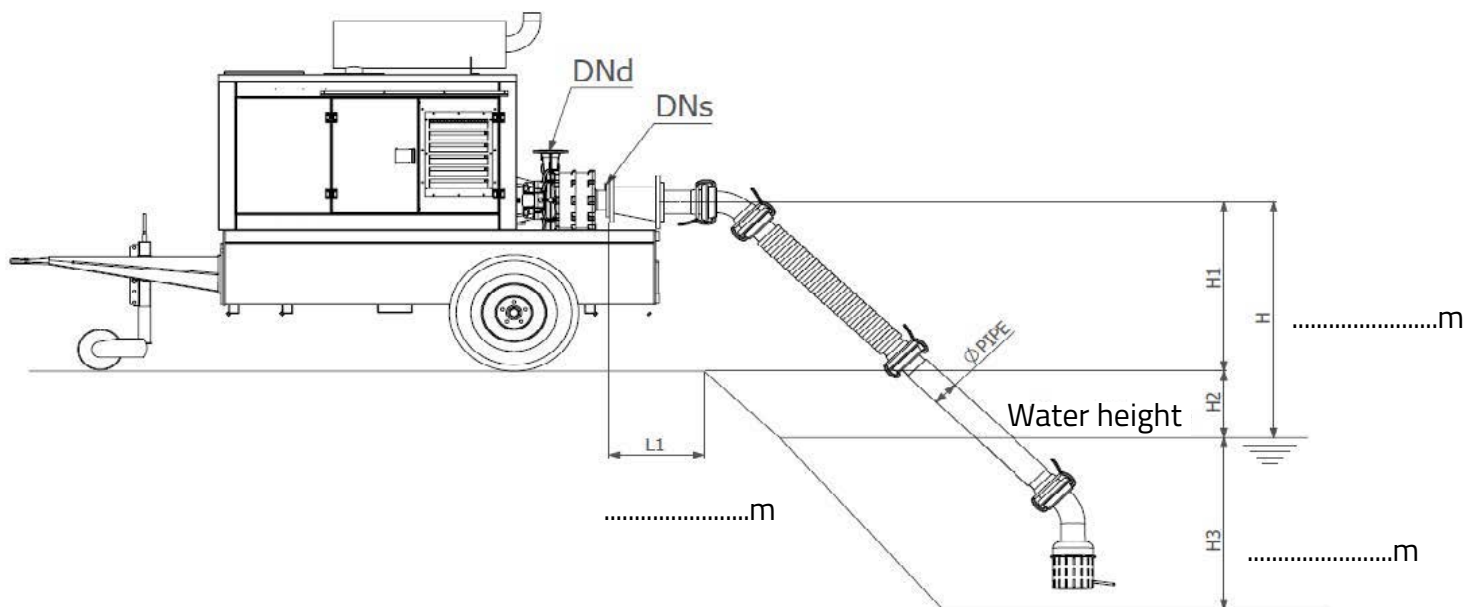


SUPER SILENCIOUS

Setup table of your autonomous pumping solution

SUCTION FROM A STRAINER

Please insert below the required distances according to the desired suction unit:



ACCESSORIES

- Suction kit (pipes 4m + strainer)
- Suction kit (pipes 6m + strainer)
- Discharge pipes.....m
- Strainer only
- Others

CONNECTOR

- Bauer
- Anfor
- Spherical
- Others

OTHER INFORMATIONS

.....

.....

.....

.....

.....

.....

.....

.....

.....